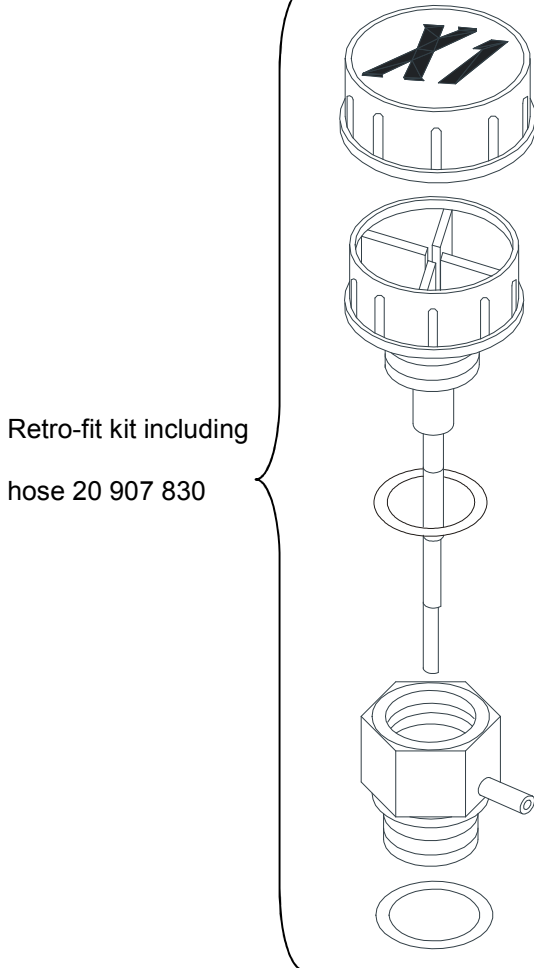


Theme:		Tank ventilation on compact power unit	
Theme area	Electrical	Telephone	+49 (0)40/ 739 606 – 42
Version	TI 14/2009	Date	07.04.2009
		Note	This information replaces the technical information Nr. 13

Figure Nr. 1: Spare parts for retro-fit



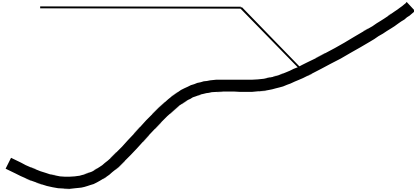
Caution!

The hose and the O-ring are composed of a special material, which is resistant to heat, UV and oil, please only use original spare parts, we will not take any responsibility if other parts are used.

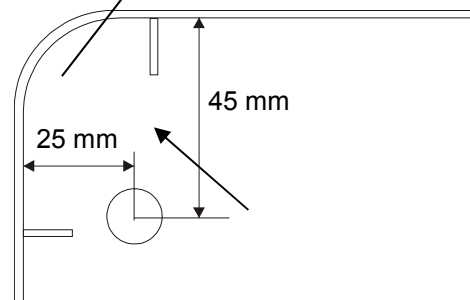
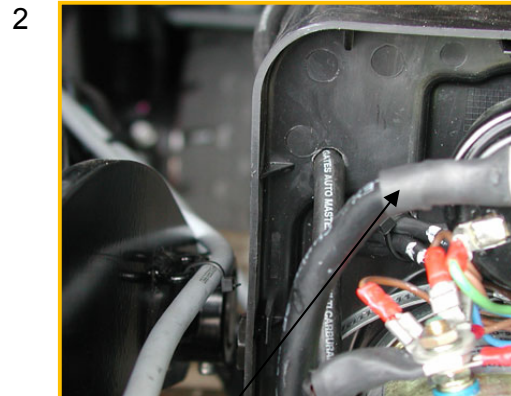
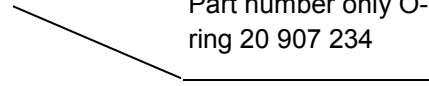
For the filter changing and mounting of the new vent system, we will reimburse a maximum of 3 AW, driving time and labour overcharge will not be refunded.

More technical information and news can be found under
www.soerensen.de

Part number only
hose 20 907 319



Part number only O-
ring 20 907 234

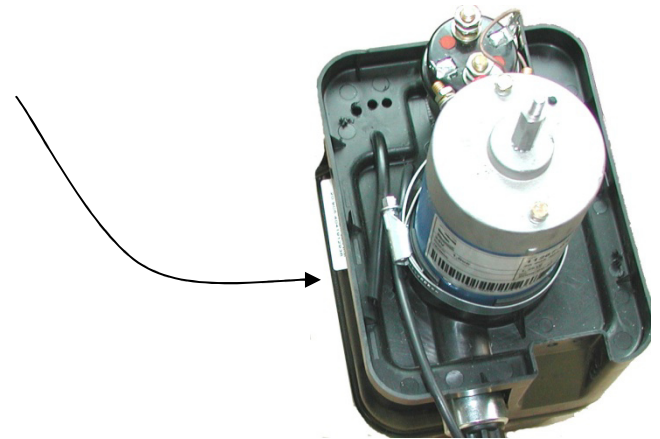


More technical information and news can be found under
www.soerensen.de

4



Measure the oil level when the lift is down and tilted towards the ground
Oil grade : HLPD 22



Drill a hole as a passage for the hose

5 Cut the hose to the right length

Cut the hose more or less in the middle of the motor, otherwise the hydraulic system.

More technical information and news can be found under
www.soerensen.de