

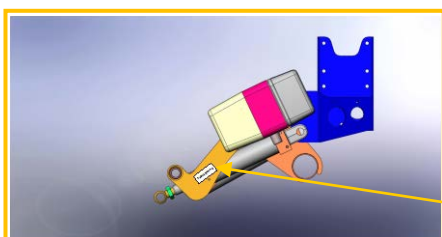
Theme:		Positions of the serial number at the tail lift	
Theme area:	General	Author:	Construction and development
Version:	03	Date:	03.05.2017

Where can you find the serial number at the tail lift.
(Plant number / serial number / tail lift number)

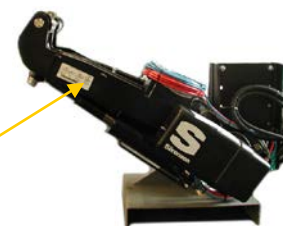
You can find the tail lift number at three different positions:

Position 1

On the tilt arm to the right in driving direction you can find an identification plate with a loading diagram where you can find the serial number.

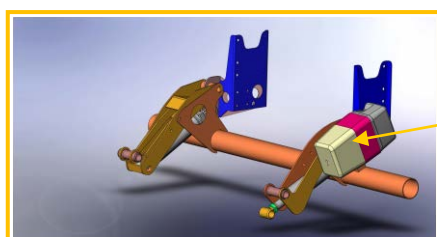


Serial no. on the lifting arm



Position 2

The same identification plate you can find inside the power pack cover.

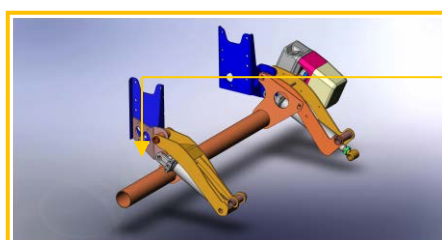


Inside the power pack cover

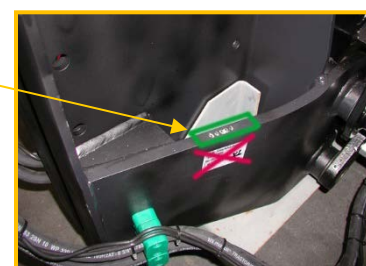


Position 3

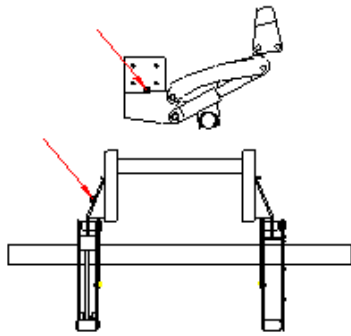
Engraved on the anchor plate to the left in driving direction.
For further positions at different types of tail lifts please check pages 2 – 3.



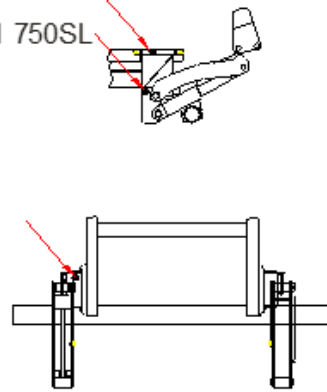
Serial number engraved



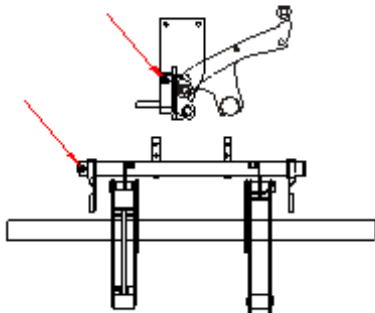
X1 750 / 750C
X1 1000 - 2500
X1 FA 1000 - 1500



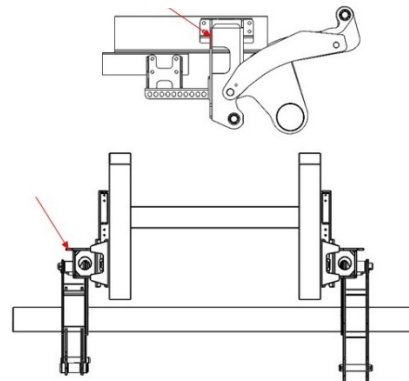
X1 750B / 1000B
X1 750SL



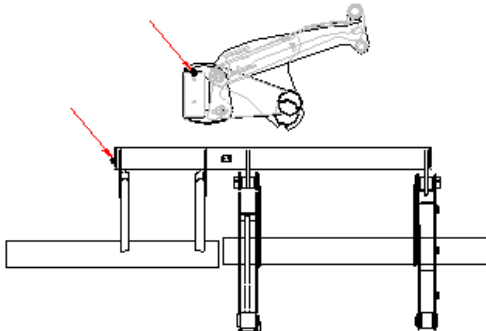
X1 750D



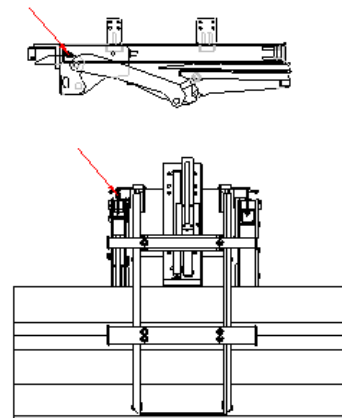
X1 BM / BV



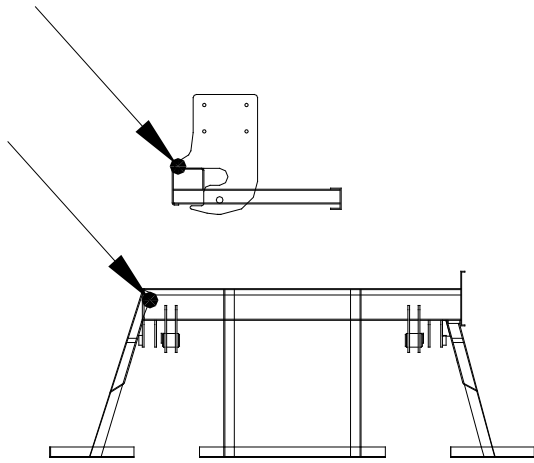
X1 FA6 / A6 / A3 1000



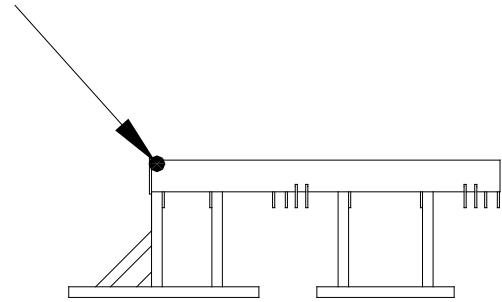
X1 UA/UAM 1500 - 2500



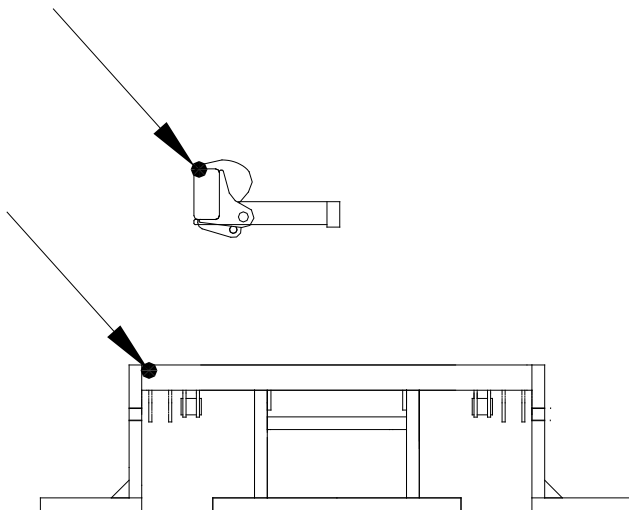
AST/STA/FAS 1005 - 1608



AS6 1008



AST/STA 2008 - 5008



UASX

